

C.I.P.

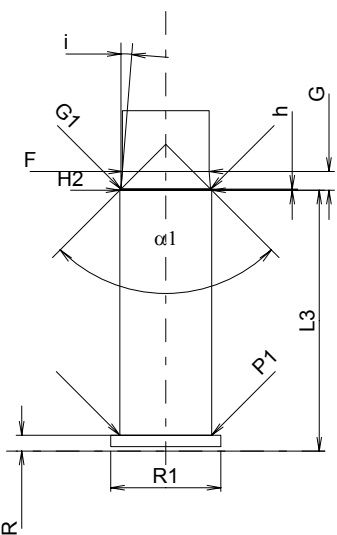
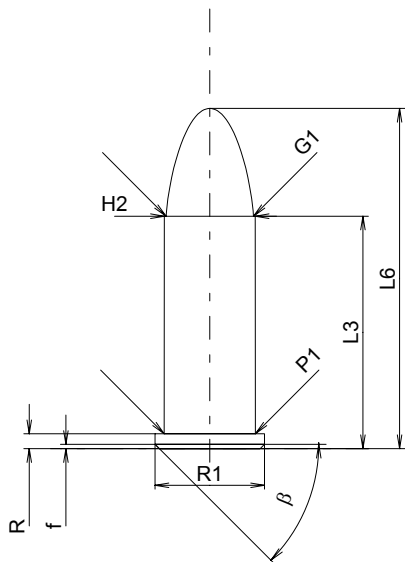
320 Long

Country of Origin: GB

TAB. IV

Date 84-06-14

Revision 00-06-07



Scale 1.5:1

Dimensions in << mm >>
Dimensions and Tolerances for Proof Barrels
see Appendix CR 1.

CARTRIDGE MAXI

Lengths

L1	=	
L2	=	
L3 ¹⁾	=	20.50
L4	=	
L5	=	
L6	=	30.00

Case Head

R ¹⁾	=	1.32	-0.25
R1	=	9.65	
R3	=		
E	=		
E1	=		
e min	=		
δ	=		
f	=	0.38	
β	=	45°	

Powder Chamber

P1	=	8.05
P2	=	

Junction Cone

α	=	
S	=	
r1 min	=	
r2	=	

Collar

H1	=	
H2 ¹⁾	=	8.00

Projectile

G1 ¹⁾	=	7.70
G2	=	
F	=	
L3+G ¹⁾	=	22.16

Pressures (Energies)

Method Transducer

Pmax	=	1000 bar
PK	=	1150 bar
PE	=	1300 bar
M	=	12.50

Miscellaneous Dimensions

Fe ¹⁾	=	0.25
delta L	=	

CHAMBER MINI

Lengths

L1	=	+0.381
L2	=	+0.381
L3 ¹⁾	=	23.00 +0.381

Breech

R ¹⁾	=	1.40
R1	=	9.70 +0.051
R2	=	
R3	=	
r	=	

Powder Chamber

E	=	
P1 ¹⁾	=	8.10
P2	=	

Junction Cone

α	=	
S	=	
r1 max	=	
r2	=	+0.762

Collar

H1	=	+0.051
H2 ¹⁾	=	8.10 +0.051

Commencement of Rifling

G1 ^{1)*}	=	7.90 +0.051
G ^{1)*}	=	1.66
α_1	=	90°
h*	=	0.10
s	=	
i ¹⁾	=	4°34'59"
w	=	

Barrel

F ^{1)*}	=	7.65
Z ¹⁾	=	7.90

Grooves

b	=	2.70 +0.051
N	=	6
u	=	450.00
Q	=	48.03 mm ²

Notes: 1) Check for safety reasons
* Basic dimensions